

FARMMI[®]

FOREST



Reliable skidding winches with band brake - since 1962



Farmi 50
with 50 kN line pull for tractors from 50 HP

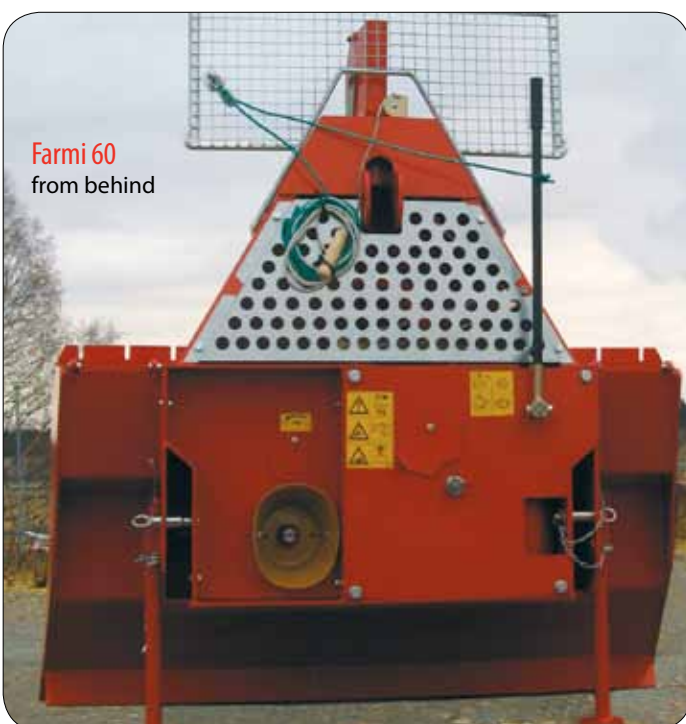


Farmi 60
with 60 kN line pull for tractors from 60 HP

FARMI, a pioneer in winch construction, has a series of three-point mounted winches for demanding applications. The development of the FARMI models is based on 50 years of experience in winch construction. Solid construction guarantees a long working life and comfortable operation.

High drum storage capacity, uniform winding, light-weight, compact design, reliable function and close attachment are the main features of FARMI skidding winches.

The FARMI winch is a safe and high-performance tool that can be used practically in most forest applications.



Farmi 60
from behind

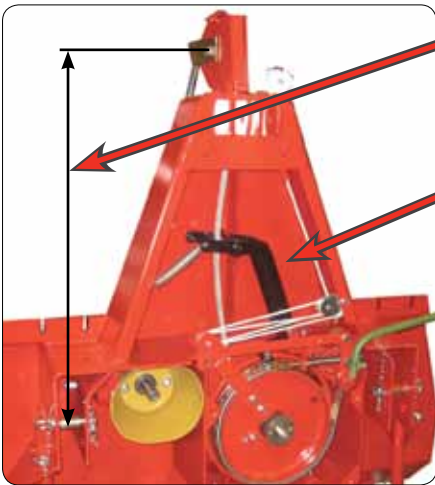
FARMI winches are designed for winching and skidding of full trees and cut to length logs.

- Excellent pulling force at all wire rope lengths
- Automatic overrun drum brake – easy wire rope extraction
- Long working life time
- Long distance from upper pulley to drum - for good spooling
- Wide, robust and well shaped butt plate – stable and good to work with
- Reliable clutch for all weather conditions
- Electrohydraulic / remote control available as retrofit
- Easy to maintain
- Safe construction according to CE-regulations



Farmi 75 with 75 kN line pull and high drum storage capacity for professional applications with tractors from 75 HP.

Farmi 85 with 85 kN line pull, high drum storage capacity and 2.0 m butt plate - excellently suited for professional applications with tractors starting from 85 HP.



Distance and angle between the upper pulley and the drum is very important for consistent and reliable wire rope winding.

The automatic overrun drum brake guarantees that the wire rope can be easily extracted. In the case of abrupt stops, immediate brake action hinders drum overrun.

FARMI 75 from behind



Device for wire rope unwinding (accessory)
Available for models Farmi 60 – 85. Extend life span of wire rope and helps to unwind the wire rope to trees.



Storage box is incorporated for carrying chokers and accessories.



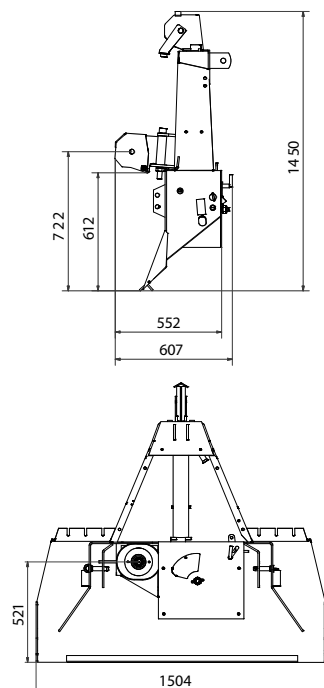
HOF4 (accessory)
Electrohydraulic control with manual or remote control

FARMI Skidding winches: Technical data

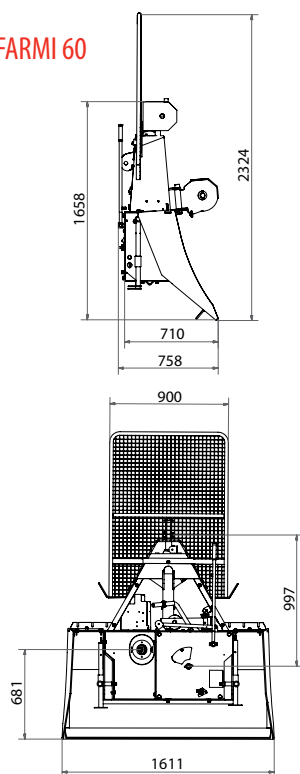
	50	60	75 Alp	85 Alp
Line pull, max. kN	50	60	75	85
Drum storage capacity	ø 10 mm, 80 m ø 11 mm, 70 m ø 12 mm, 60 m	ø 10 mm, 130 m ø 12 mm, 100 m ø 14 mm, 70 m	ø 12 mm, 115 m ø 14 mm, 80 m	ø 12 mm, 115 m ø 14 mm, 80 m
Line speed 350 rpm, m/s 540 rpm, m/s	0,30 - 0,90 0,50 - 1,40	0,36 - 0,82 0,56 - 1,26	0,39 - 0,81 0,61 - 1,24	0,39 - 0,81 0,61 - 1,24
Clutch	Friction disc	Friction disc	Multifriction disc	Multifriction disc
Required power, min. kW (hp)	35 (50)	45 (60)	56 (75)	63 (85)
Power transmission	Power take-off (tractor)	Power take-off (tractor)	Power take-off (tractor)	Power take-off (tractor)
Weight (without wire rope), kg	227	475	430	620
Three-point linkage mounting	Cat. II	Cat. II	Cat. II	Cat. II and III
Distance between upper pulley and drum, mm	925	1000	1150	1150
PTO height, mm	521	681	630	700 - 810
Chain catch / holder stow box	yes / no	yes / yes	yes / yes	yes / yes
Lower pulley	yes	yes	yes, height-adjustable	yes, height-adjustable
Band brake	yes	yes	yes	yes
Safety guard	yes	yes	yes	yes
Automatic overrun brake	yes	yes	yes	yes
Rope guiding pulley	option	option	yes	yes
Butt plate, width x height, mm	1505 x 695	1611 x 900	1800 x 850	2000 x 920
Electrohydraulic control	option	option	option	option
Remote control	option	option	option	option
Device for unwinding the wire rope	no	option	option	option

We reserve the right to make changes.

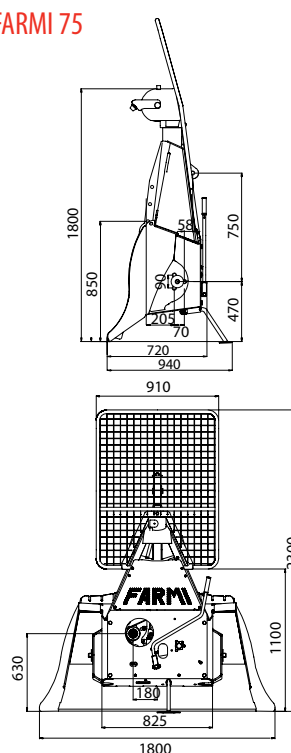
FARMI 50



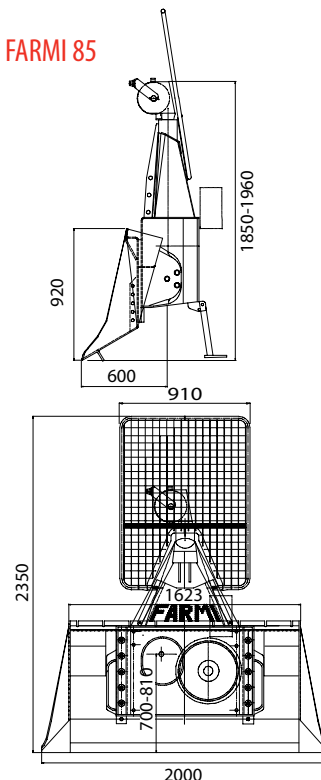
FARMI 60



FARMI 75



FARMI 85



W50-85EN / 09/2011

FARMI
FOREST

© Farni Forest Corporation
Ahmolantie 6
FI-74510 Iisalmi
FINLAND
Tel. +358 17 832 41
Fax +358 17 382 4372
info@farmiforest.fi