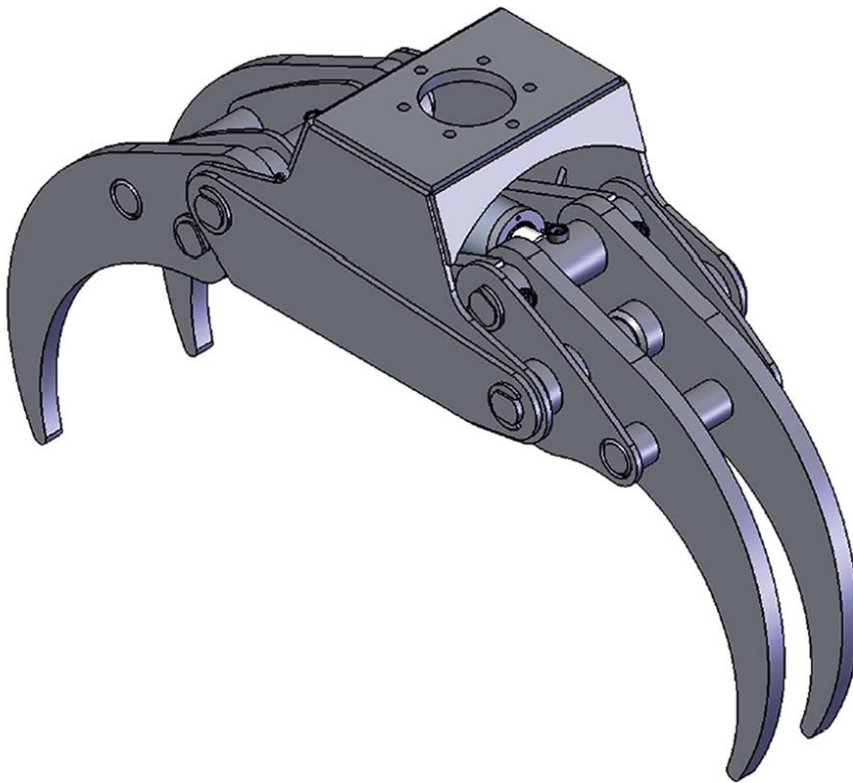
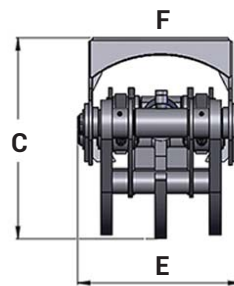
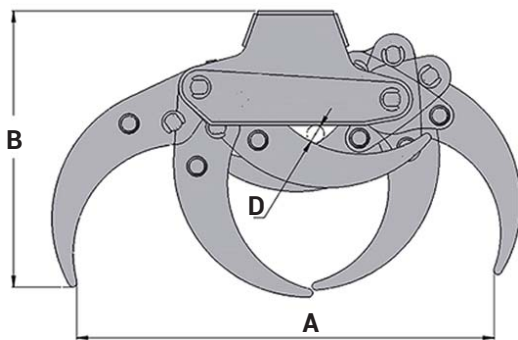


TIGERGRIP | TG 25 SR4



KEY FEATURES

- Heavy duty
- Double guide bars
- Optimized roll in/roll out properties
- High pressure cylinder with double piston rod seals
- High tensile wear resistant steel (400 HB)
- Extra reinforced body for rigid mounting - Excavator design



A	1203
B	796
C	520
D	50
E	423
F	173/6

MODEL SPECIFICATIONS



TG 25 SR4	200	0,25	250	50	12,6	8	3	10				
-----------	-----	------	-----	----	------	---	---	----	--	--	--	--

INTERMERCATO

High performance lift and load attachments for Forestry, Transport, Construction and Recycling.

